

Description

Switchboard for 2 WIRE audio and video systems. Allows access to various services (video door entry functions, door lock/staircase light management and apartment alarm monitoring) directly from the keypad or via the intuitive icon menu. The switchboard is supplied with an integrated table supporting frame and also features a 7" colour LCD display, receiver and speaker phone, dedicated keys for the main functions and keys which can be configured. The programming can be carried out directly from the device or via PC with TiSwitchBoardDevice software (supplied). The device can manage the phonics of the riser EP (i.e. wired downstream of interface 346851); it cannot however manage the apartment EP (i.e. wired downstream of interface 346850). The use of an additional power supply is recommended.

It is possible to connect up to a max. of 16 switchboards (configured from 0 to 15).

WARNING: the switchboard cannot be used in systems with 2 WIRE-IP interface 346890. The new HIERARCHICAL mode is available only with the entrance panels of the following series: Sfera New, Linea 100, Minisfera, Linea 300.

Also check that:

351000 production week => 16W18

351100, 351200 & 351300 Firmware => 01.02.31

346851 production week => 16W28

Related items

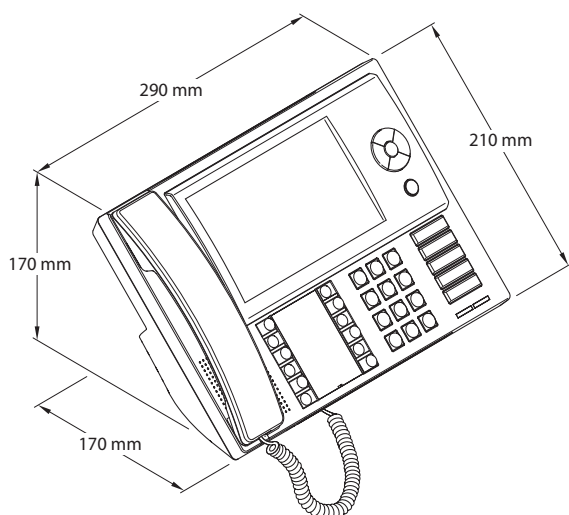
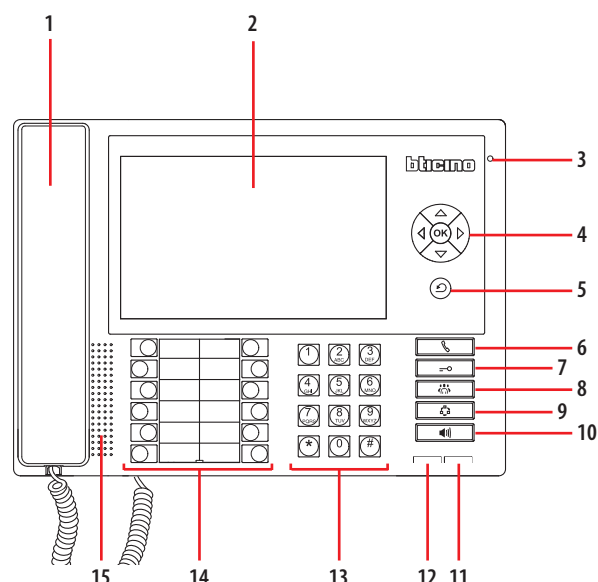
336982 LIVINGLIGHT white series 8 pole socket for table-top installation of the switchboard

336803 (8 poles - frayed) cable for table-top installation of the switchboard

346020 2 DIN additional power supply

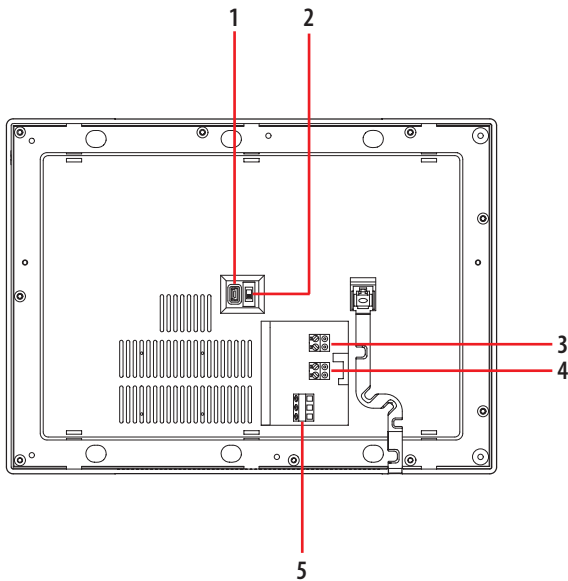
Technical data

Power supply from SCS BUS:	19 – 27 Vdc
Absorptions from BUS (without additional supply):	
- stand by absorption:	35 mA
- max. operating absorption:	450 mA
Absorptions from BUS (with additional supply):	
- stand by absorption:	5 mA
- max. operating absorption:	20 mA
Operating temperature:	5 - 40 °C
Relay contact output:	24 Vac / 24 Vdc 3 A, cosφ = 1

Dimensional data**Front view****Legend**

1. Handset
2. 7" colour LCD display for the displaying of the user and programming menu and of the images recorded by the entrance panel or cameras
3. Microphone
4. Navigation keypad. It enables navigating through the menus, with the possibility of confirming the selection (OK key)
5. Cancel key
6. Direct call key
7. Door lock release key
8. Directory access key
9. Entrance panel and camera cycling activation key
10. Handsfree key
11. Alarm given indication LED
12. Operating status notification LED:
LED ON (fixed) = device in stand-by
LED ON (flashing quickly) = call active
LED ON (flashing slowly) = conversation active
13. Alphanumeric keypad
14. Keypad + legend of configurable functions
15. Loudspeaker

Rear view



Legend

1. Mini-USB connector for the connection to the PC
2. Line termination ON/OFF micro-switch
3. Clamps for connection to the BTicino 2 WIRE BUS
4. Additional power supply connection clamps (1 - 2)
5. Audible notification device power supply connection clamps (optional)

Functional notes

The maximum installation distances are the same as for a traditional 2-WIRE internal unit.

The MASTER switchboard

A MASTER Switchboard is recommended when the system has just one call hierarchy level. This means that the call can be sent to the switchboard operator of the whole residential complex (in DAY mode) or directly to the apartment (in NIGHT mode).

The switchboard operator (or the switchboard operators if there are SLAVE switchboards) offer the apartments the same services.

The BACKBONE and RISER switchboard

The BACKBONE and RISER switchboards are the two variations of the system with two-level hierarchy.

This means that the call can be sent to the RISER switchboard operator (first hierarchical level) or if the first is not in service (NIGHT mode) to the BACKBONE switchboard operator (second hierarchical level). If this in turn is not in service the call is sent directly to the apartment.

The RISER switchboard operator and the BACKBONE switchboard operator offer different services. The first is directly connected to its riser while the second supervises all the risers.

For both one-level (MASTER) and two-level (BACKBONE and RISER) systems a SLAVE switchboard can be inserted which will have the same functions as the switchboard to which it is associated; this can be BACKBONE, RISER or MASTER indifferently.

Configuration

The switchboard must be configured for:

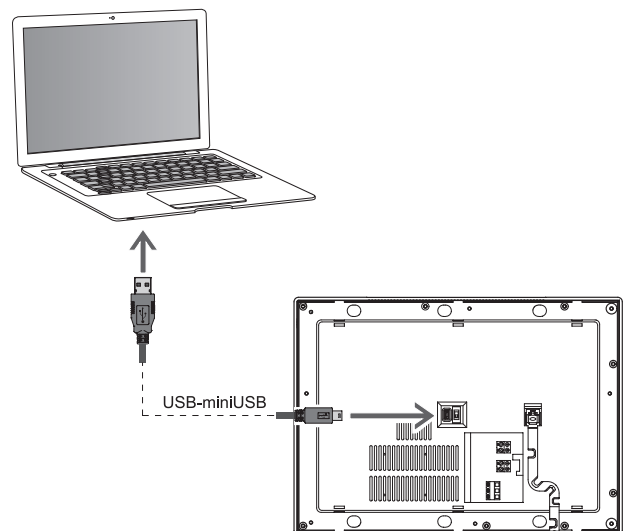
- local address setting of the switchboard (0 or 1 - 15)
- address setting of the associated entrance panel (1 - 80)
- setting the address of any associated service internal unit
- type of installation: traditional (Master/Slave) or hierarchical

Two different configuration modes are available:

- directly from the switchboard icon menu
- with a PC, using the specific software, that may be supplied or which can be downloaded free of charge from www.homesystems-legrandgroup.com; this mode has the advantage of offering many more options when compared with the physical configuration.

WARNING: some specific functions such as for example compiling the address books and managing the ringtones, require configuration by PC.

To transfer the configuration performed using the software or to update the device, connect the switchboard to the PC using the USB-mini cable.



To ensure that the communication is successful, the device must be powered.

Wiring diagrams

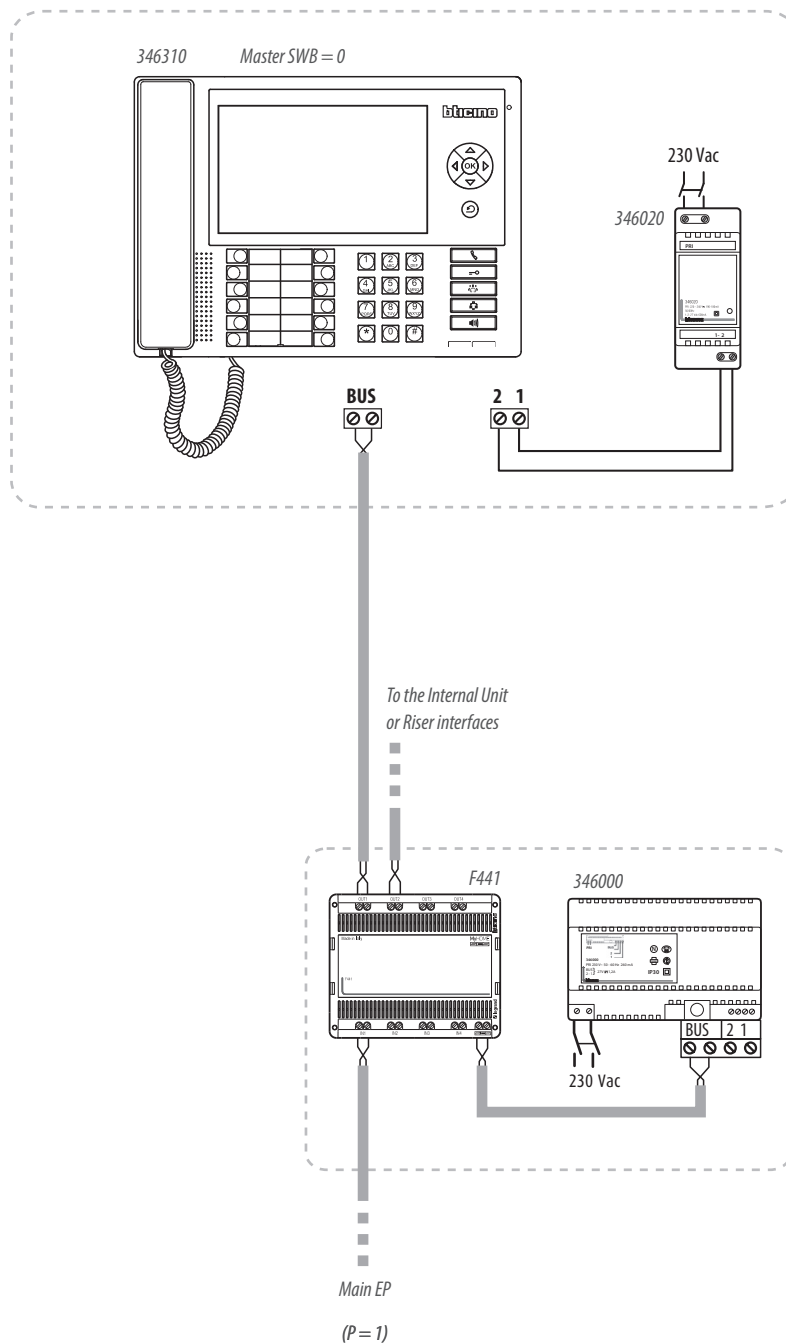
System with a single riser and a 2 WIRE switchboard

ITEM	DESCRIPTION
346310	Switchboard
346020	Additional power supply
F441	Audio/video node
346000	Power supply



WARNING

- An additional power supply with 346020 is recommended.
- Use the YouDiagram software for the functional check and calculation of the current absorptions – free download from www.professionisti.bticino.it (for Italy) - www.bticino.com (International version).
- Refer to the documentation supplied with the product or the configuration software to configure the Switchboard.



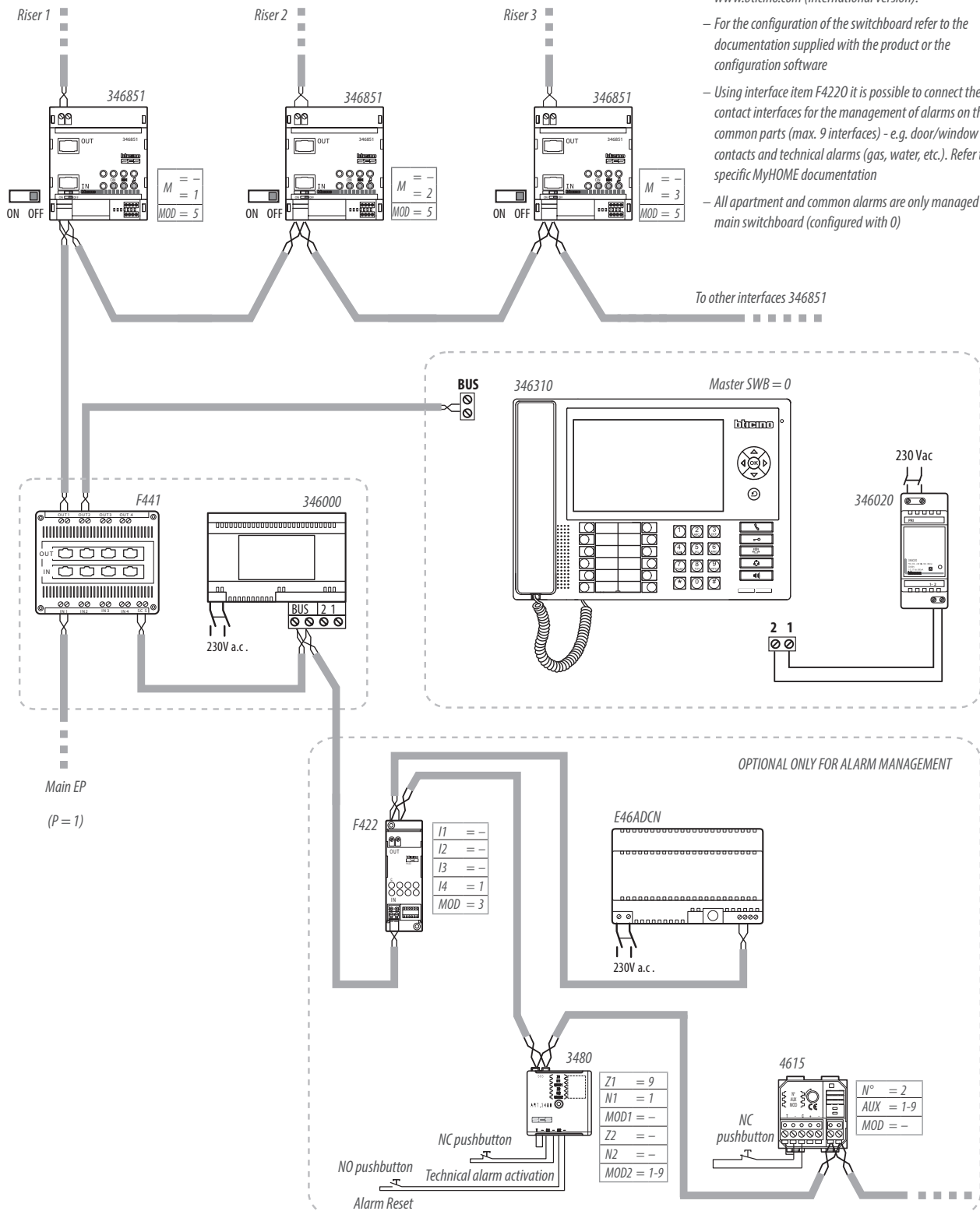
System with a switchboard independent risers and possible alarm display from common parts in backbone

ITEM	DESCRIPTION
346310	Switchboard
346020	Additional power supply
F441	Audio/video node
346000	Power supply
E46ADCN	Power supply

ITEM	DESCRIPTION
F422	SCS/SCS gateway
3480	Contact interface
4615	Auxiliary channel interface
346851	System expansion module

! WARNING

- An additional power supply with 346020 is recommended
- Use the YouDiagram software for the functional check and calculation of the current absorptions - free download from the website:
www.professionisti.bticino.it (for Italy)
www.bticino.com (International version).
- For the configuration of the switchboard refer to the documentation supplied with the product or the configuration software
- Using interface item F4220 it is possible to connect the contact interfaces for the management of alarms on the common parts (max. 9 interfaces) - e.g. door/window contacts and technical alarms (gas, water, etc.). Refer to the specific MyHOME documentation
- All apartment and common alarms are only managed by the main switchboard (configured with 0)



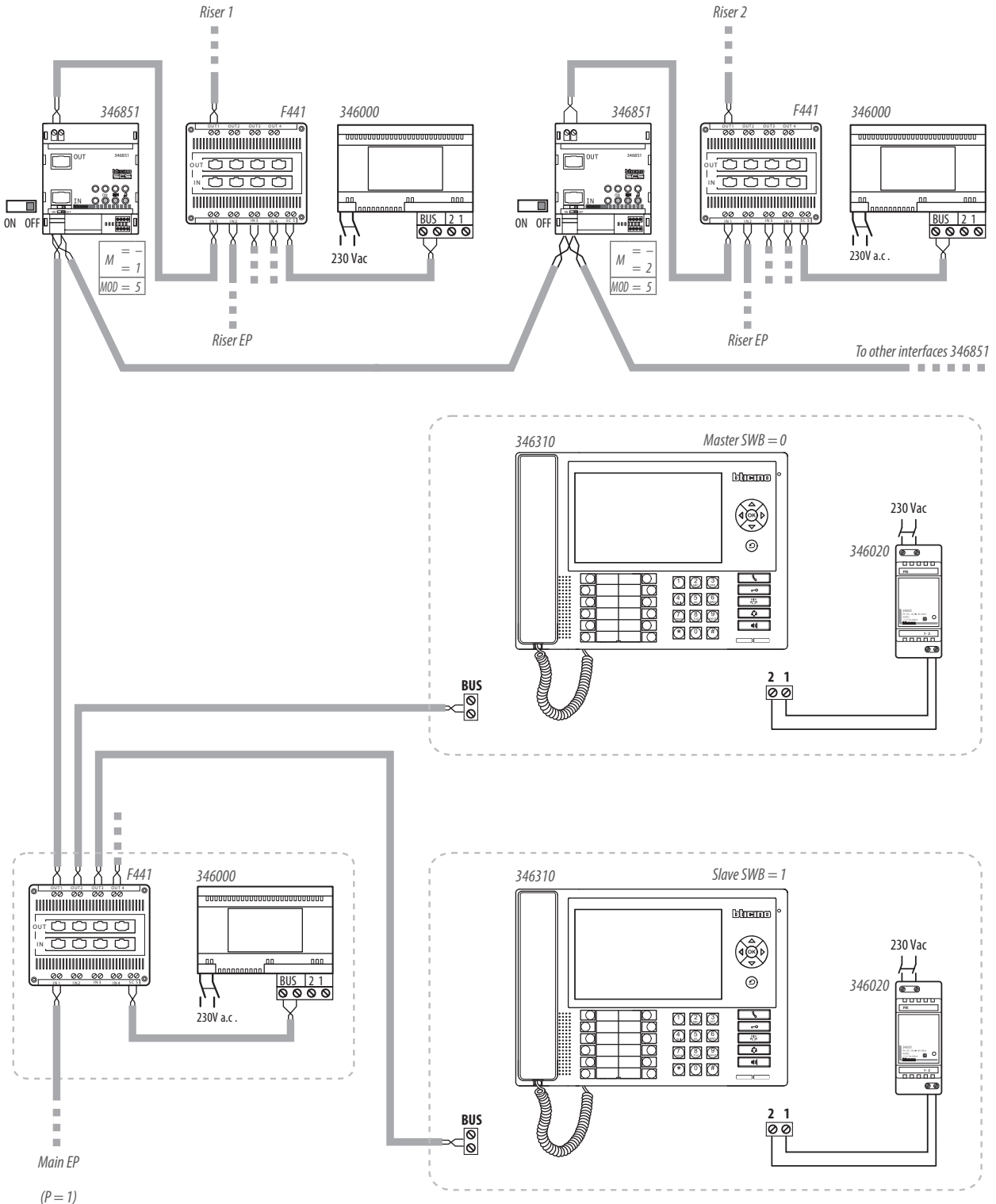
System with more switchboards and independent risers

ITEM	DESCRIPTION
346310	Switchboard
346020	Additional power supply
F441	Audio/video node
346000	Power supply



WARNING

- Additional power supply item 346020 recommended.
- Max. 3 SWB which can be star connected with audio video node. Up to a max. of 16 SWB can be connected in IN/OUT connection and with floor distribution blocks 346841.
- Refer to the documentation supplied with the Switchboard for its configuration.



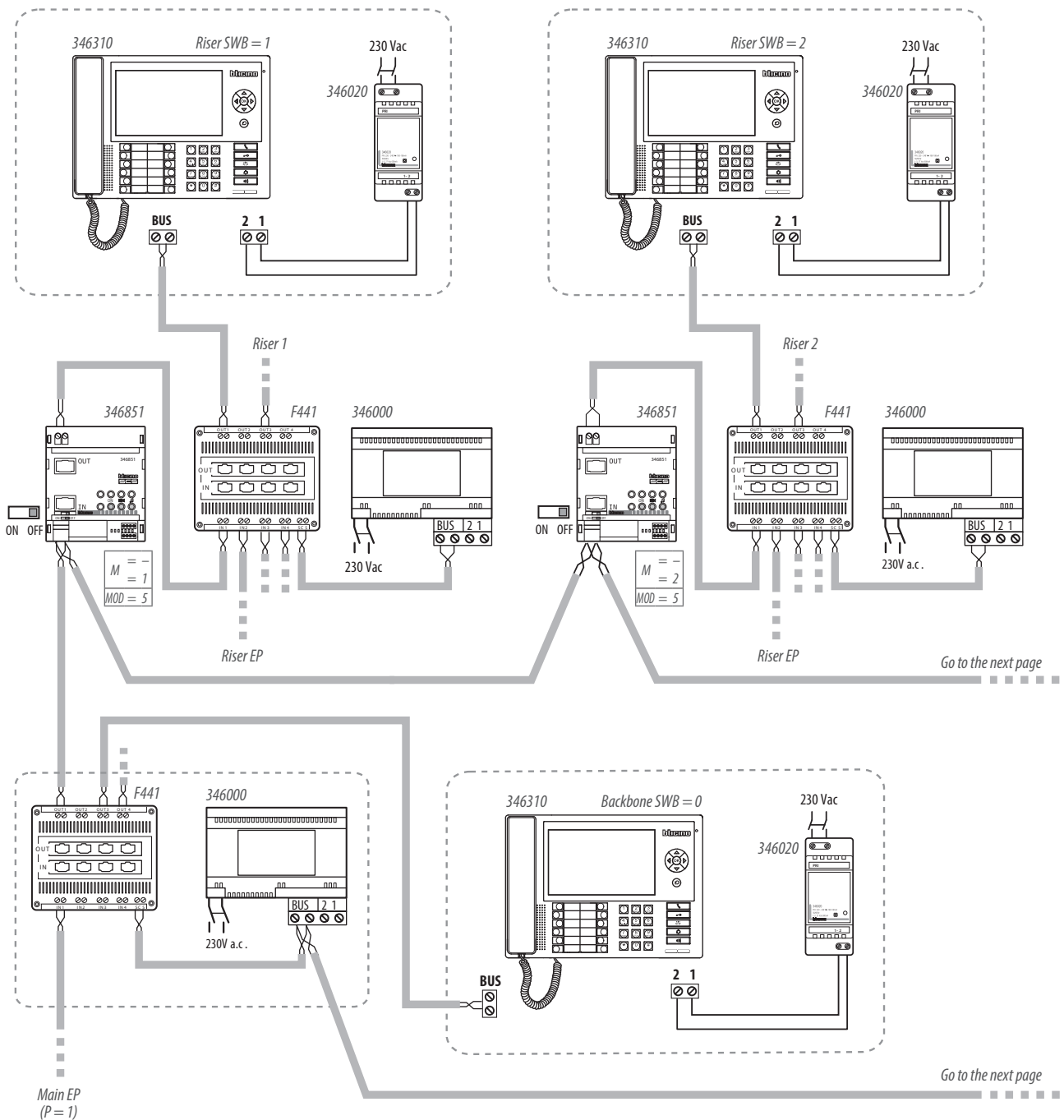
Hierarchical system with a backbone SWB and an SWB for each independent riser

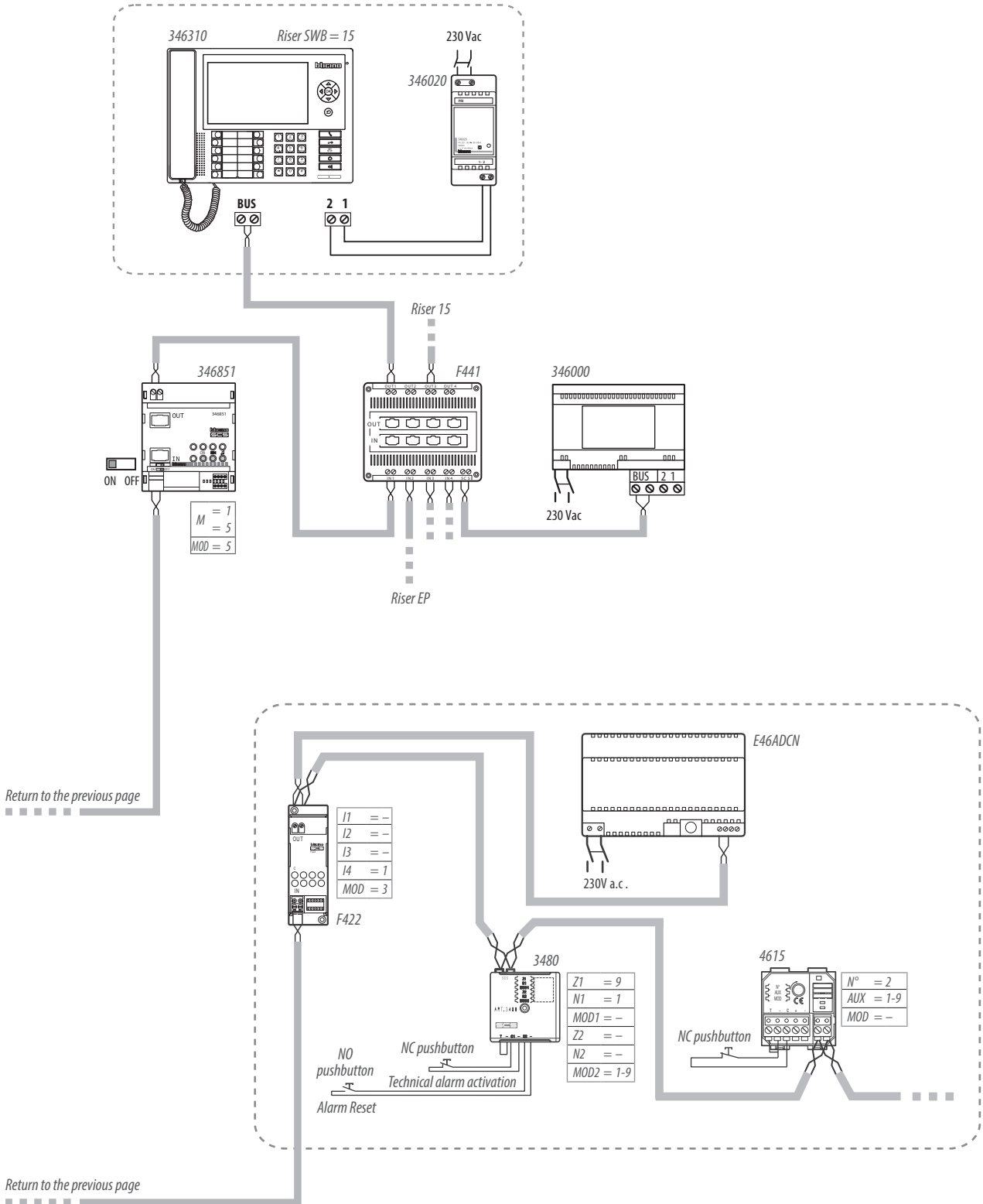
ITEM	DESCRIPTION
346310	Switchboard
346020	Additional power supply
F441	Audio/video node
346000	Power supply



WARNING

- An additional power supply with 346020 is recommended
- Refer to the documentation supplied with the product for the Switchboard configuration and its operation
- The backbone SWB does not manage the riser EP video signal
- A maximum of 16 SWB can be installed
- Using interface item F4220 it is possible to connect the contact interfaces for the management of alarms on the common parts (max. 9 interfaces) - e.g. door/window contacts and technical alarms (gas, water, etc.). Refer to the specific MyHOME documentation
- All apartment and common alarms are only managed by the main switchboard (configured with 0)





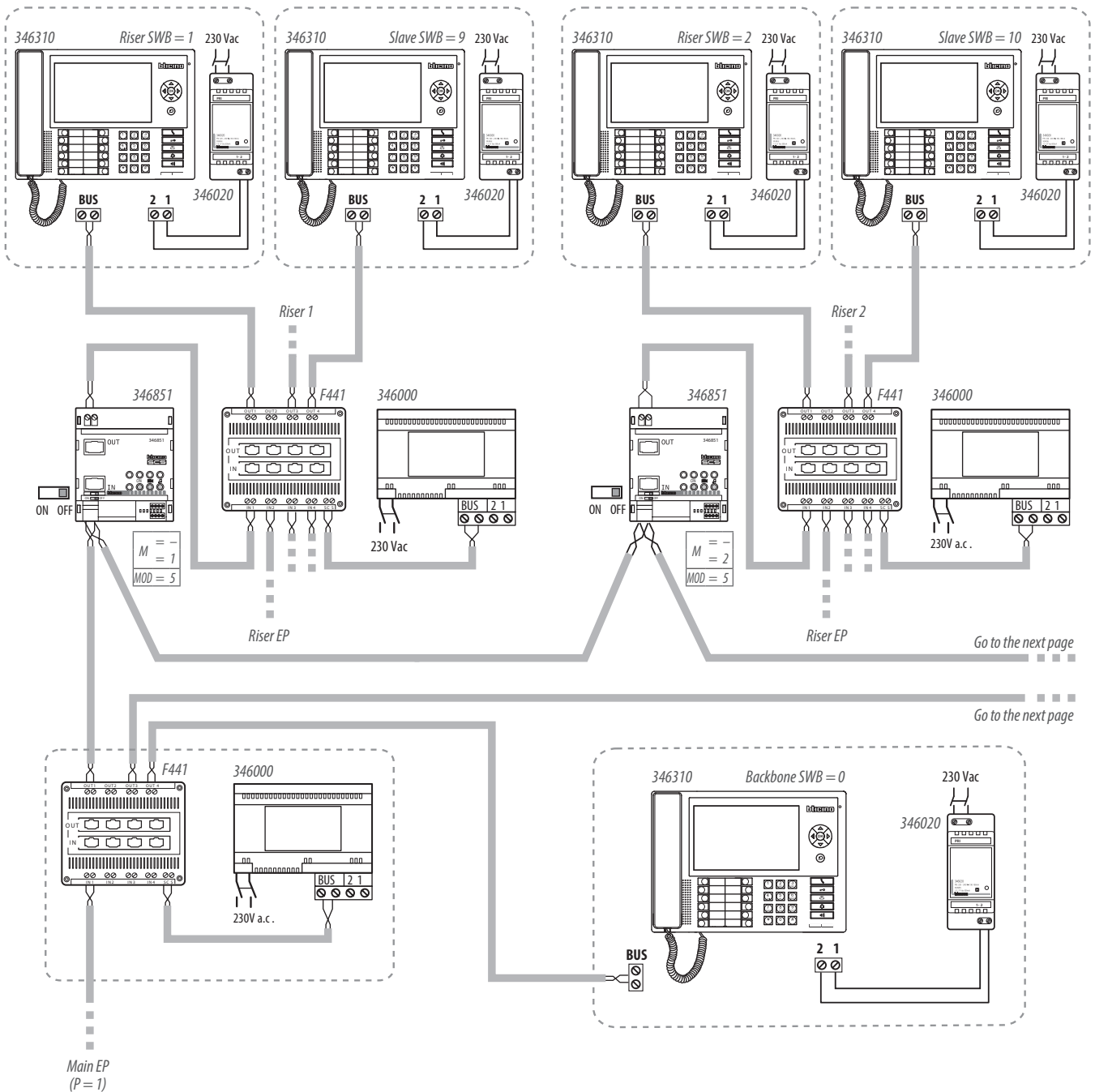
Hierarchical system with backbone SWB, riser SWB and Slave SWB on the backbone and on the riser

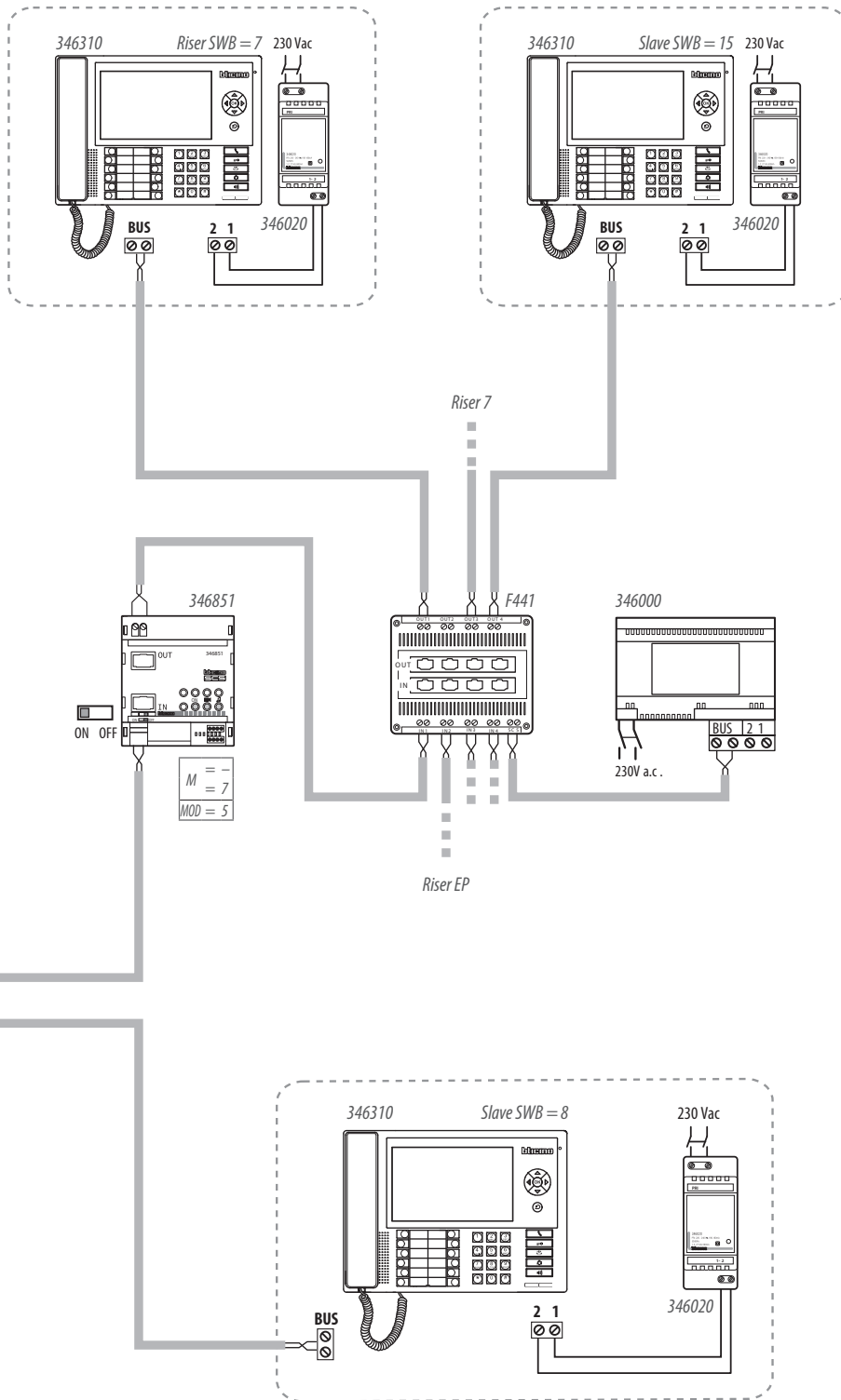
ITEM	DESCRIPTION
346310	Switchboard
346020	Additional power supply
F441	Audio/video node
346000	Power supply



WARNING

- An additional power supply with 346020 is recommended
- Refer to the documentation supplied with the product for the Switchboard configuration and its operation
- The backbone SWB do not manage the riser EP video signal
- A maximum of 16 SWB can be installed
- Use the YouDiagram software for the functional check and calculation of the current absorptions – free download from: www.professionisti.bticino.it (for Italy) - www.bticino.com (International version).
- The slave SWB follow the day/night settings of the associated SWB



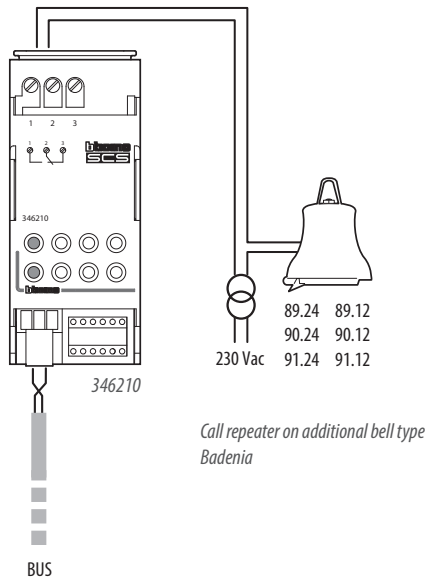


Return to the previous page

Return to the previous page

WIRING DIAGRAMS VARIATIONS

Auxiliary services – Additional ringtone (Bell type) remotd via actuator and associated to the SWB



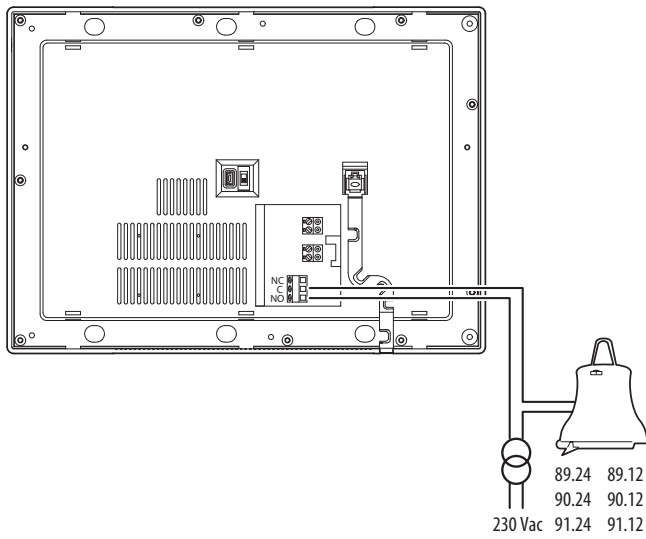
MOD	M	N/P	T
8	○	○	○
	○	○	○

Unit
Tens

- Repeat the call and alarms sent to the SWB on Bell type ringtone
- In N/P enter the ten and the units of the associated SWB
- The time must not be customised using configurator T

The contact activates and deactivates following the SWB call times.

Auxiliary services – Additional ringtone (Bell type) connected directly to the SWB



The contact activates and deactivates following the SWB call times.

Load of relay contacts: 24 Vac / 24 Vdc
3 A, cosφ = 1

Camera to be used with the SWB

In the SWB menu declare the presence of the associated camera.
 In the camera P enter the SWB address to which it is associated.

